

Fig.1

1. 2. 3. 4. 5. 6. 7. 8. 9. 10. 11. 12.

此圖為說明書附圖，請勿作為其他用途之圖樣。  
This figure is an illustration of the patent document, please do not use it for other purposes.

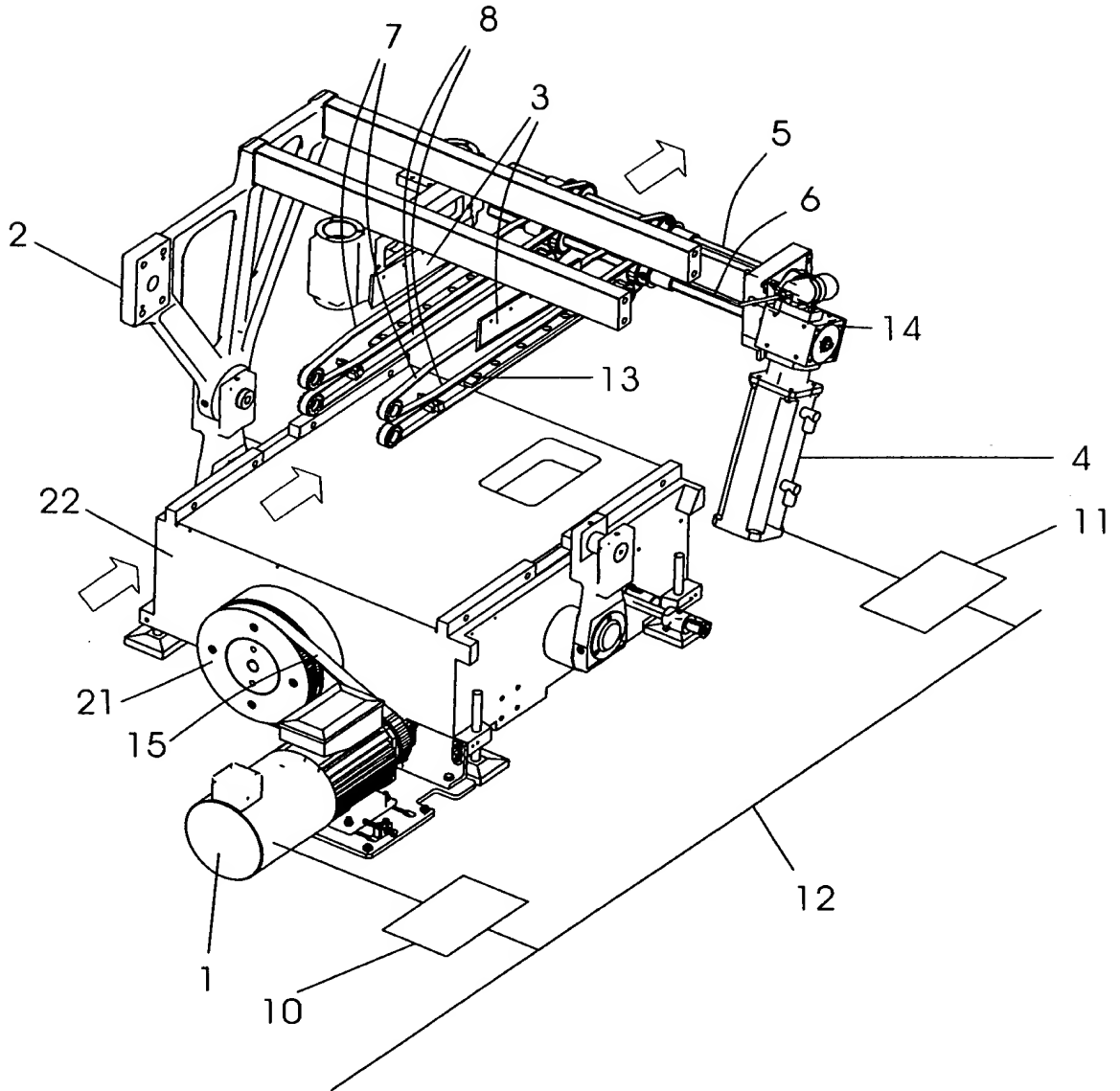


Fig.2

THESE DOCUMENTS SONT LA PROPRIETE DE LA BIBLIOTHEQUE NATIONALE DU CANADA

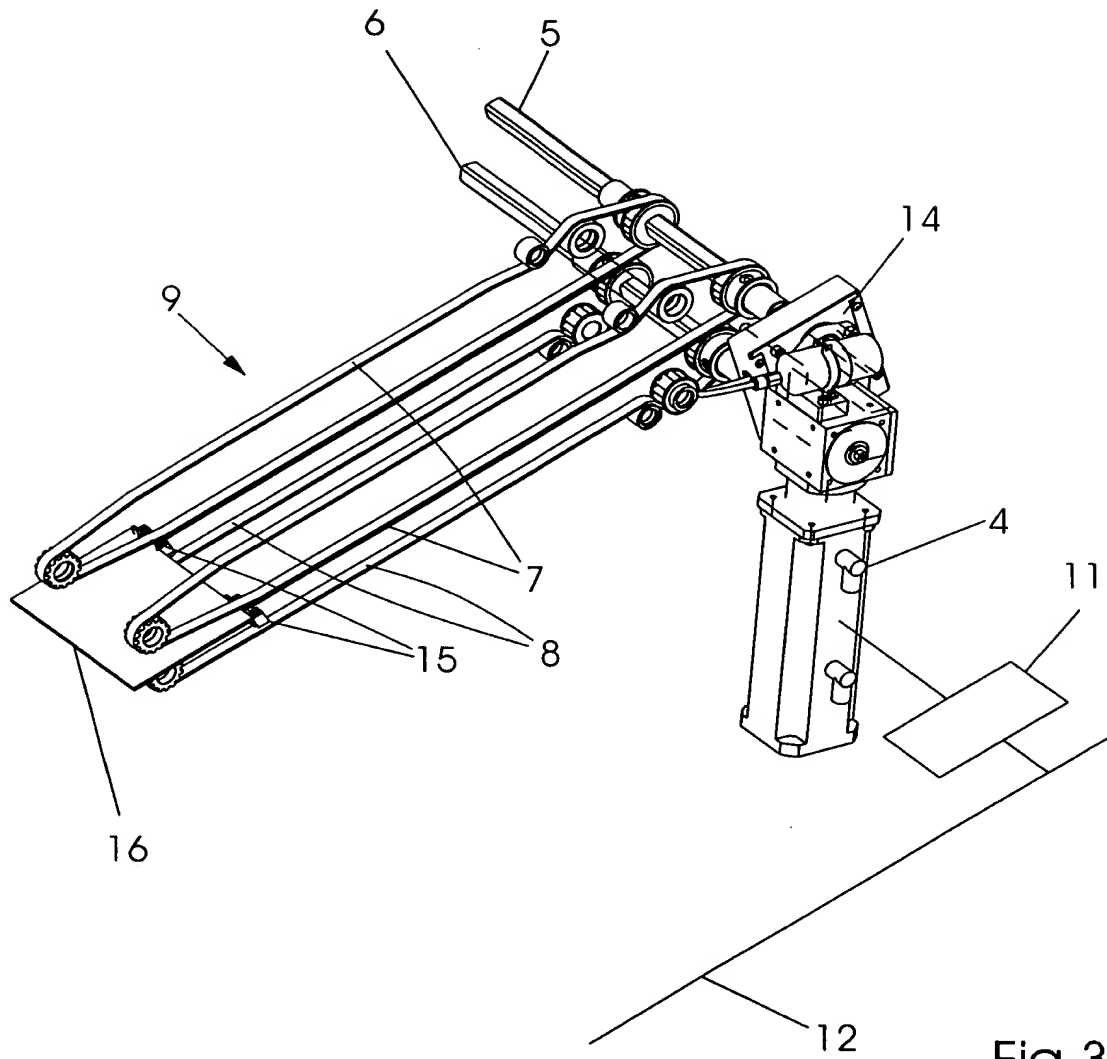


Fig.3

1. This invention relates to a hand-held power tool, and more particularly to a hand-held power tool which is capable of being used in a variety of applications.

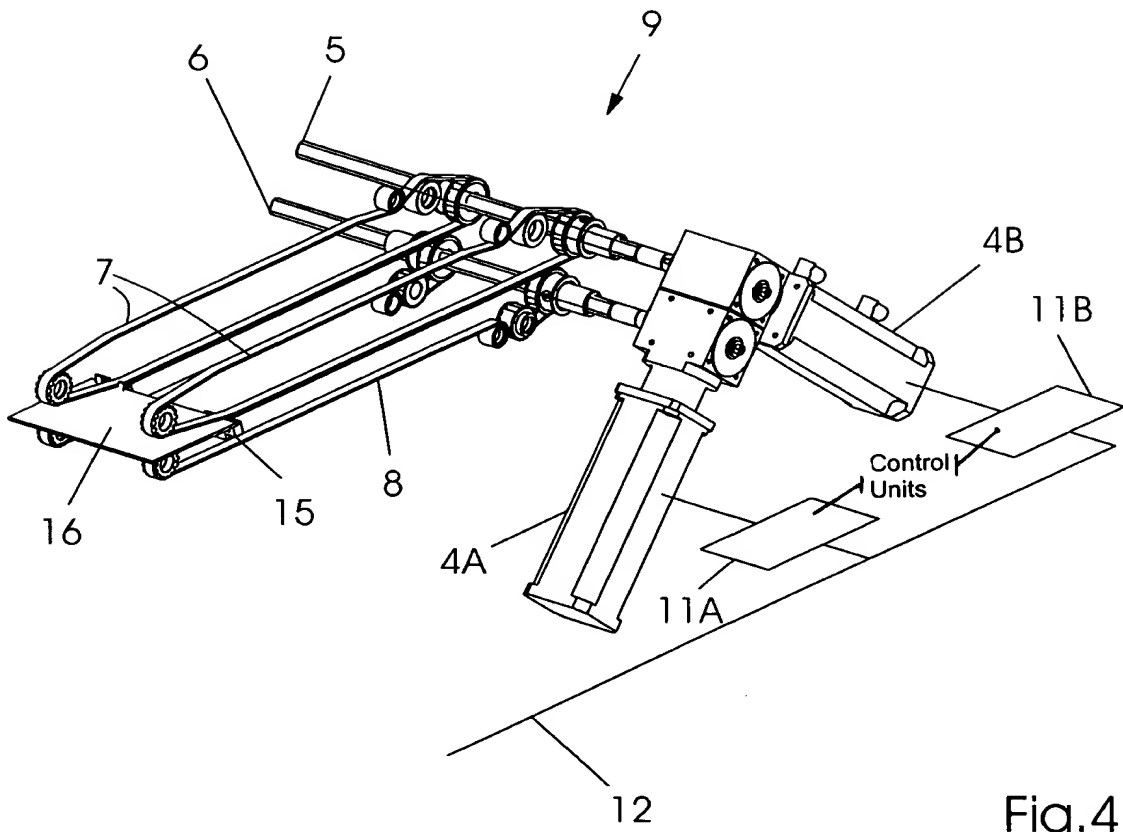


Fig.4

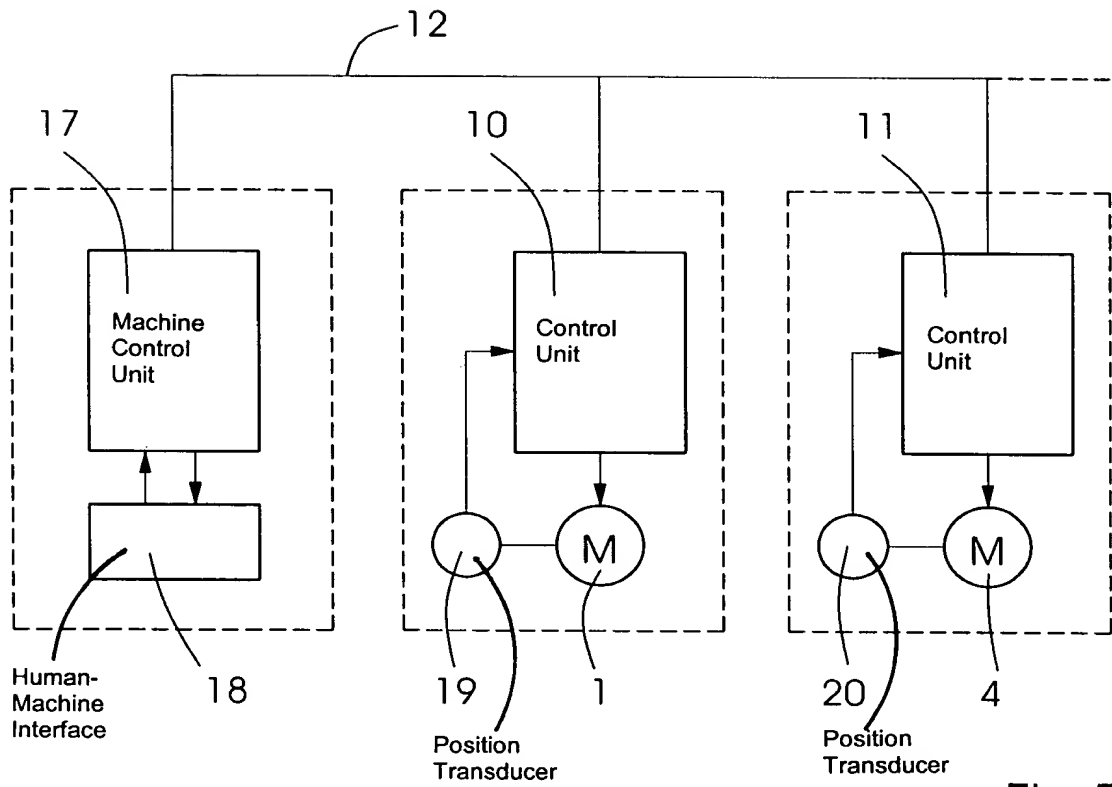


Fig.5

This document is the property of the U.S. Government and is loaned to your agency; it and its contents are not to be distributed outside your agency.